



TI-N

Wall mounted room thermostat

TI-N is a wall mounted room thermostat for control of HVAC systems. The thermostat can control fans, cooling units, electric heaters, etc.

- Change-over contact, 10 A 230 V AC
- Temperature range 5...30°C
- Hysteresis 0.6 K

- Cooling or heating function
- Setting range can be mechanically limited
- Protection class IP30

TI-N is an electromechanical thermostat for room mounting. The thermostat contains a pair of gas-filled bellows with a stainless steel membrane which reacts to changes in temperature by generating a movement which is transmitted to the switch. The thermostat can control a heating or cooling function.

Setpoint

The thermostat has a temperature range of 5°C to 30°C. If required the range can be limited by means of mechanical endstops behind the setting knob.

Mounting

The thermostat has mounting holes of cc 60mm and can be mounted on a standard device box.

Technical data

Ambient temperature
 Storage temperature
 Ambient humidity
 Form of protection

0...50°C
 -40...+50°C
 Max 90% RH
 IP30



Low Voltage Directive (LVD) standards: This product conforms to the requirements of the European Low Voltage Directive (LVD) 2006/95/EC through product standards EN 60730-1 and EN 60730-2-9.

EMC emissions & immunity standards: This product conforms to the requirements of the EMC Directive 2004/108/EC through product standards EN 60730-1 and EN 60730-2-9.

RoHS: This product conforms with the Directive 2011/65/EU of the European Parliament and of the Council.

Output

Relay

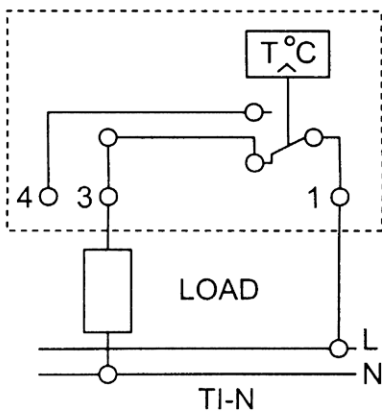
One change-over contact, 10 (25) A 230 V AC

Setting

Setpoint
 Hysteresis

5...30°C, mechanically limited
 0.6K, fixed

Wiring and dimensions



Terminal 1 230 V in
 Terminal 3 Heating out
 Terminal 4 Cooling out

N.B. TI-N can be used for either heating or cooling; not both at the same time.

